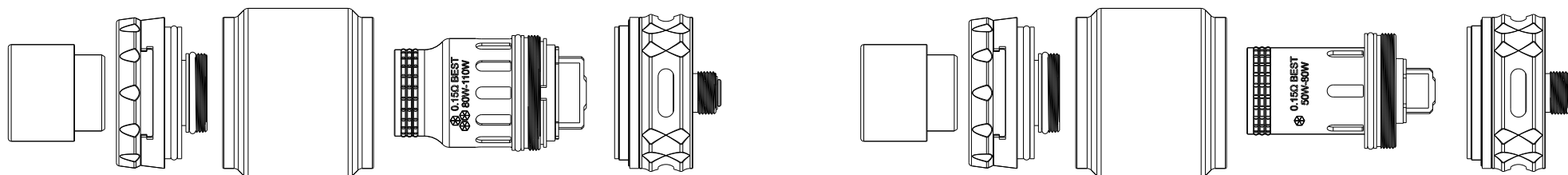


# Dark Mesh Tank



Thank you for purchasing Advken Dark Mesh Tank. The Dark Mesh Tank is for vaporizing and inhaling e-liquid. Please observe the e-liquid's warnings before your first use. Also, please read the enclosed manual carefully before use to make sure all steps are correct. If you need any additional information or have any query about this product or its use, please contact your local Advken agent or visit Advken website:

[www.advken.com](http://www.advken.com).

## Specification:

Product Name: Dark Mesh Tank  
Material: 304 Stainless Steel  
Size: 25mm\*54.5mm(with Drip Tip)  
Color Options: Silver/Black  
Thread: 510 Thread  
Pin: Gold-plated Pin  
G.W.(G): 152g  
N.W.(G): 103g  
Capacity(ML): 5ml(Triple Mesh Coil) / 6ml(Single Mesh Coil)  
Resistance(OHM): 0.15Ω Triple Mesh Coil (Installed)&0.15Ω Single Mesh Coil(Spare)

## Package Included:

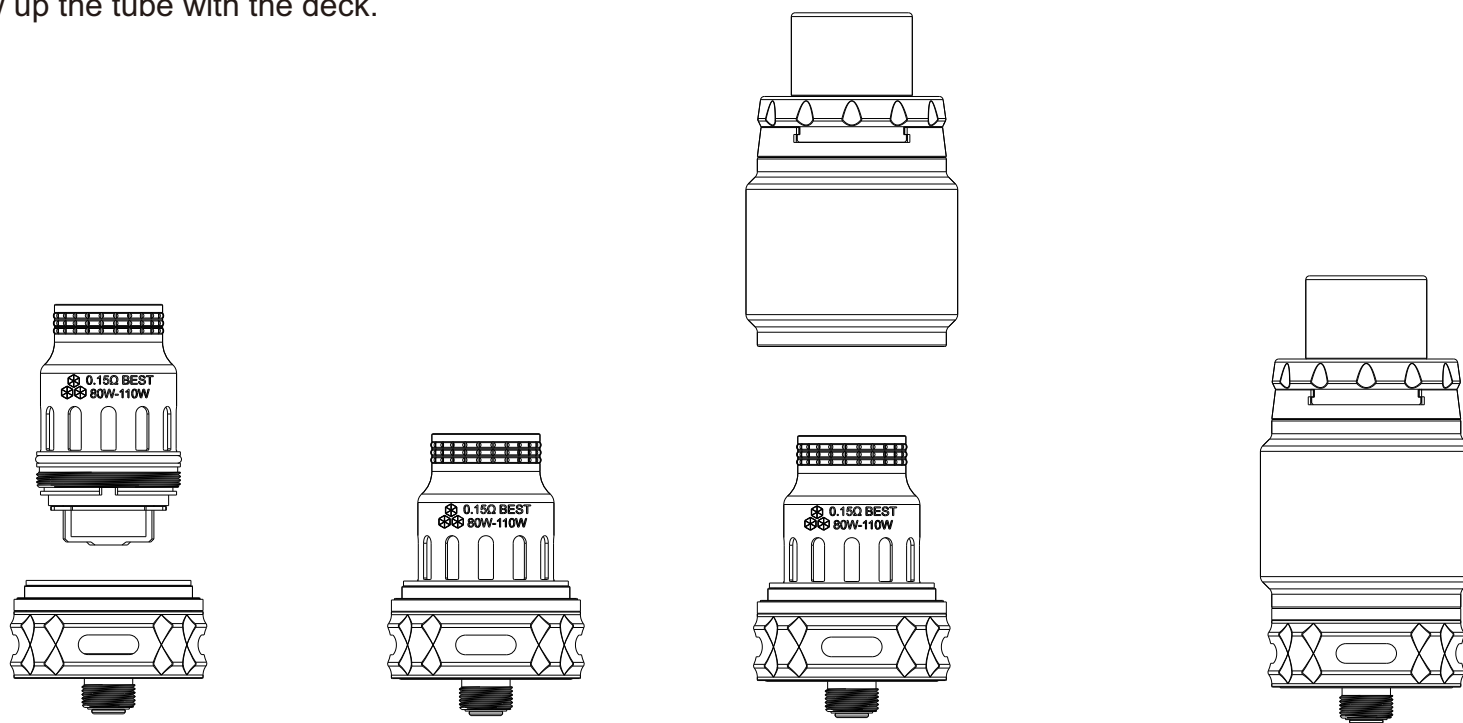
1X Dark Mesh Tank(0.15Ω Triple Mesh Coil Inside)  
1X Spare 0.15Ω Single Mesh Coil  
1X Spare Bubble Glass  
1x Accessory Bag  
1x Advken Card  
1x Clean Cloth

## Features:

- 1.25mm 304 Stainless Steel Mesh Coil Tank.
- 2.Top Sliding Refill System, No leak.
- 3.Bottom Adjustable Airflow Control
4. Come with 0.15Ω Single and Triple Mesh Coil
5. 810 Resin Drip Tip
6. Two Capacity choice : 5ml(Triple Mesh Coil) or 6ml(Single Mesh Coil)

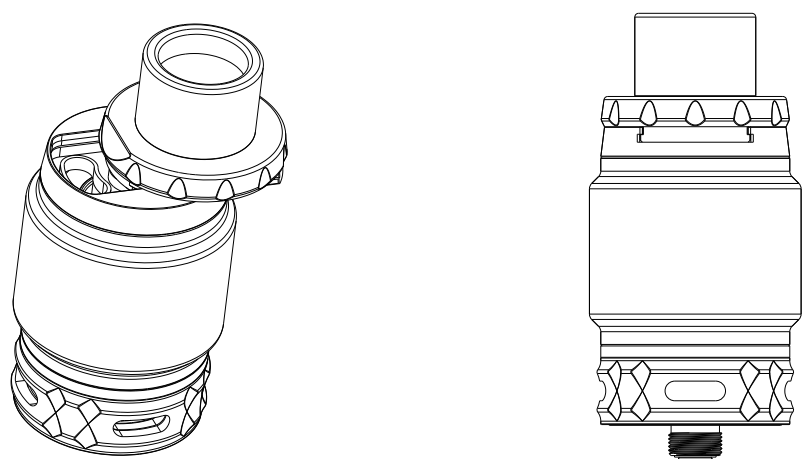
## How to Change Coil:

- 1.Empty the tank's inside e-liquid then screw down the deck.
- 2.Screw down the used coil and screw up the new coil.
- 3.Wet the coils with your e-liquid.
- 4.Screw up the tube with the deck.



## How to Refill Tank:

Hold the tank in hand upside or screw down it with a mod. Then find the "Triangle Mark" on the top cap, push the top cap as the mark showed to find the filling hole. Later, fill the tank with proper amount e-liquid. After that , push back the top cap make sure the top cap closed well.



## How to VAPE:

Screw down the Cp tf rta with a mod well, make sure contact is OK. Then press the fire button as long as you inhale from the drip tip, then release the button.

## Note:

- 1.Please drip a few drops of e-liquid into the coils and let the rta stand a few minutes to make sure the coils soak enough before the first use.
- 2.Please refill the rta in-time to avoid dry-burning.
- 3.Protect this device from direct sunlight, heat, moisture and mechanical impact.
- 4.The device must not be cleaned under running water! Use only a damp, lint-free cloth for external cleaning.

## Verification:

Scratch off the cover of the security label on the box to get the anti-fake codes. Then fill the codes into the input box on the [www.advken.com](http://www.advken.com) to verify. Finally, the results will come out later.

## Warning:

This products isn't intended to use by persons under legal smoking age, nonsmokers, women who are pregnant or breastfeeding, or persons with or at risk of heart disease, high blood pressure, diabetes, or taking medicine for depression or asthma.